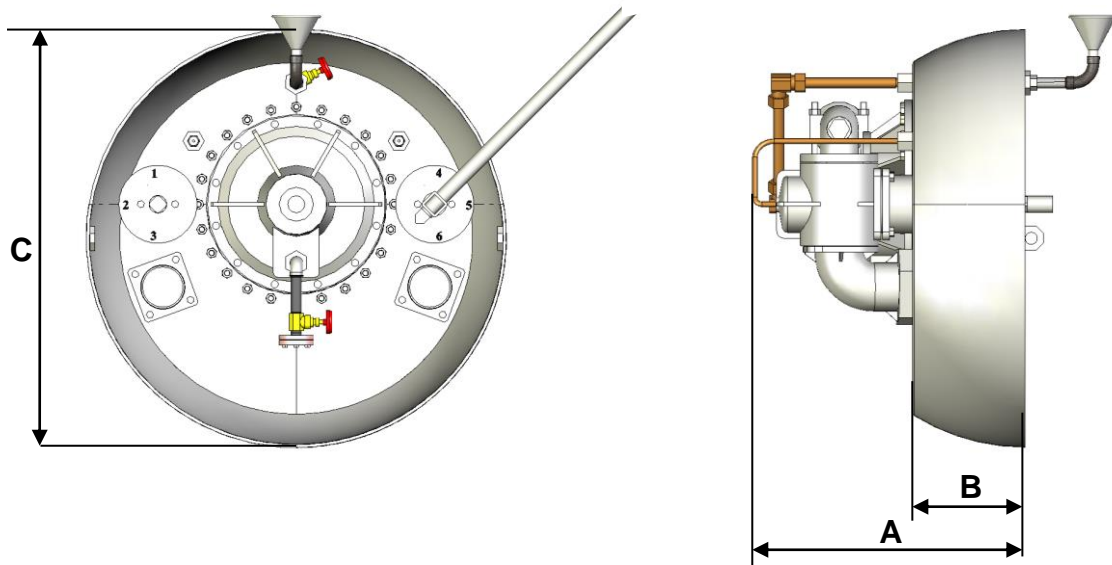


CARACTERISTICS

	STANDARD	AVAILABLE OPTIONS
Technology	Eccentric disc Mouvex®	
Maximum flow rate at 1 cSt m³/h (GPM)	40(176)	
Cubic capacity L (cu.in)	1.392 (84.9451)	
By-pass	Simple, reversible	
Rotation	Clockwise	Counter clockwise
Driving	Bare shaft	Reducer GT3 ratio 1/8
Ports	Flanges	
Heating	Without (immersed pump)	
Dimensions mm (in.)	A 560 (22)	
	B 230 (9)	
	C 860 (34)	
Weight kg (lbs)	197 (528)	



OPERATING LIMITS

	STANDARD MATERIALS
Minimum temperature °C (°F)	-10 (14)
Maximum temperature °C (°F)	200 (392)
Maximum viscosity cSt (SSU)	15000 (69500)
Maximum differential pressure bar (psi)	5 (72)
Maximum speed (rpm)	500

MATERIALS OF CONSTRUCTION

Part No	PART NAME	STANDARD MATERIAL	AVAILABLE OPTIONS
101	Main Body	Cast iron	
201	Cylinder	Cast iron	
301	Disc	Ductile iron	
401	Front cover	Cast iron	
501	Shaft	Carbon steel	
103; 303	Bushings	Bronze	
	Static O-rings	FKM	
600	Mechanical seal	Bronze/Stainless steel	
600	Mechanical seal O-rings	FKM	
	Tape	P275NL1	Without tape (provided by the Customer)

