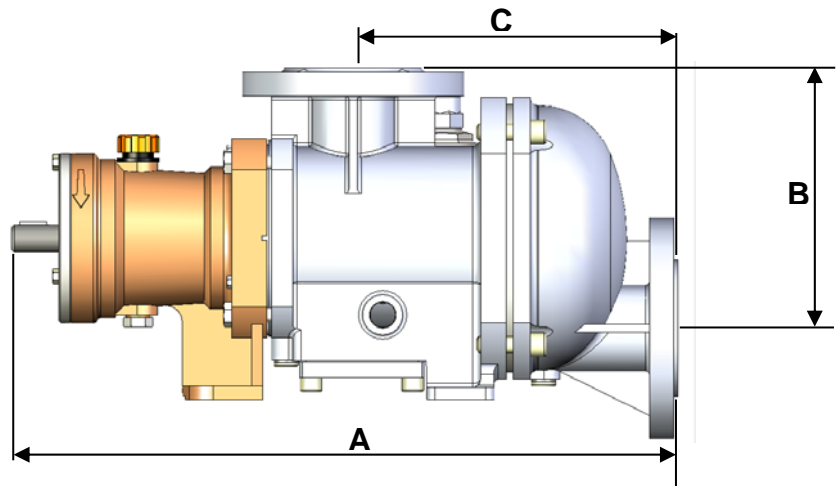
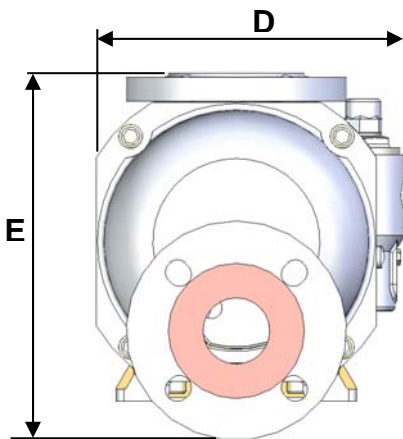




CHARACTERISTICS

	STANDARD	AVAILABLE OPTIONS
Technology	Eccentric Disc Mouvex®	
Maximum Flow rate at 1 cSt m³/h (GPM)	C4A : 4 (17.61) C8A : 8 (35.22)	
Displacement per revolution l (gal)	C4A : 0.108 (6.59) C8A : 0.178 (10.86)	
Ports	DN 50 ISO PN16 2" ANSI150	
Internal relief valve	With	Without
Pump heating	None	Heating jacket
Dimensions mm (in.) with PN16 flanges	A C4A : 497 (19.57) C8A : 514 (20.236)	
	B 194 (7.638)	
	C C4A : 242 (9.528) C8A : 259 (10.197)	
	D 232 (9.134)	
	E 276.5 (10.886)	
Weight kg (lbs)	C4A : 43 (94.8) C8A : 45 (100)	



OPERATING LIMITS

Minimum temperature °C (°F)	-15 (5)
Maximum temperature °C (°F)	100 (212)
Maximum dynamic in-pump viscosity cP	3000
Maximum differential pressure bar (psi)	C4A : 9 (130) C8A : 5 (72.5)
Maximum inlet pressure barg (psig)	Process : 1 (14.5) Pump stopped : 6 (87)
Maximum speed rpm	750
Maximum solid particle size mm (in)	2 (0.079)
Maximum soft particle size mm (in)	6.5 (0.256)

MATERIALS OF CONSTRUCTION

Part No	PART NAME	STANDARD MATERIALS	AVAILABLE OPTIONS
101	Inlet Manifold	Ductile Iron EN-GJS-500-7 / GGG50	
201	Cylinder	Ductile Iron EN-GJS-500-7 / GGG50	
301	Disc	Ductile Iron EN-GJS-600-3 / GGG60	
304	Disc Nut	Stainless steel 1.4571	
401	Front cover	Ductile Iron EN-GJS-500-7 / GGG50	
	Bolts, nuts	Carbon steel	
	Transmission Assembly		
596	Bearings	Ball / Roller / Needle	
	Bellows Assembly	316Ti & 316 L Stainless Fabrication	
	Housing	Ductile iron EN-GJS-400-15 / GGG40	
	Screws	Carbon Steel	
	Transmission Lubricant	Synthetic oil	
	Seal Rings	Fluorocarbon (FKM) O-Rings	PTFE Encapsulated O-rings

