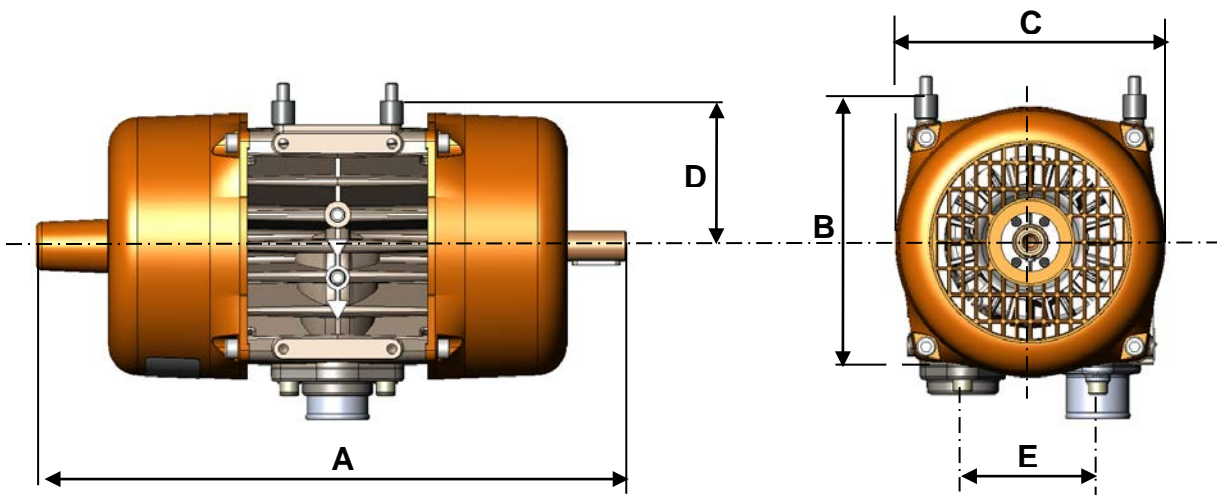


CHARACTERISTICS

		STANDARD		AVAILABLE OPTIONS
Technology		6 carbon vanes		
Maximum flow rate at atmospheric pressure (m3/h) CFM		140 (82)		
Power (KW) and torque (Nm) at 1750 rpm and 2.5 bar		10.5	57	
Power (KW) and torque (Nm) at 1000 rpm and 2.5 bar		5.8	55	
Inlet port		Cylindrical nozzle Ø 51		
Outlet port		G 1 ½ BSP		G 1 ½ NPT
Rotation direction		CW or CCW (2 ended shafts)		
Dimensions mm (in.)	A	490 (19.29)		
	B	220 (8.66)		
	C	220 (8.66)		
	D	120 (4.72)		
	E	110 (4.33)		
Weight kg (lbs)		36 (79)		



Replaces
E140.00
Effective 18 02 20

OPERATING LIMITS

	STANDARD MATERIALS
Minimum temperature °C (°F)	-20 (-4)
Maximum temperature °C (°F)	40(104)
Maximum differential pressure bar (psi)	2.5 (36)
Minimum speed (rpm)	1000
Maximum speed (rpm)	1750

MATERIALS OF CONSTRUCTION

Part No	PART NAME	STANDARD MATERIAL	AVAILABLE OPTIONS
1	Casing	Cast iron nickel coated	
2	Shaft rotor	Cast iron nickel coated	
3	Vanes	Carbon	
5	Side plates	Aluminium	
11	Fans	Plastic	
12-13	Covers	Plastic	
	O-rings	FKM	
	Shaft sealing	Lip seals PTFE	

