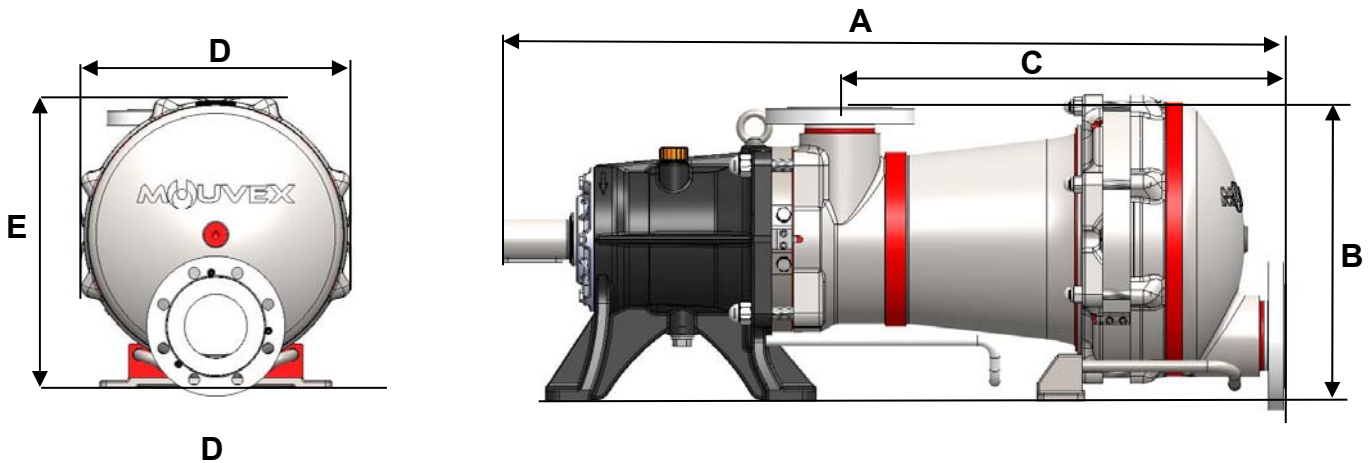


### CHARACTERISTICS

	STANDARD	AVAILABLE OPTIONS
<b>Technology</b>	Eccentric Disc Mouvex®	
<b>Maximum Flow rate m<sup>3</sup>/h (GPM)</b>	<b>G Flo 65 S</b> : 65 (286.2) <b>G Flo 65 HP</b> : 50 (220)	
<b>Displacement per revolution ( l / gal)</b>	<b>G Flo 65 S</b> : 3.378 (0.793) <b>G Flo 65 HP</b> : 2.601 (0.528)	
<b>Inlet chamber volume L (gal)</b>	14 (3.698)	
<b>Outlet chamber volume L (gal)</b>	9.8 (2.378)	
<b>Weight kg (lbs)</b>	320 (706)	
<b>Wet surface m<sup>2</sup> (in<sup>2</sup>)</b>	<b>G Flo 65 S</b> : 2.12 (3 286) <b>G Flo 65 HP</b> : 2.01 (3 115.5)	
<b>Moment of inertia kg.mm<sup>2</sup> (lbs.in<sup>2</sup>)</b>	529 537 (1 809)	
<b>Ports</b>	DN 100 ISO PN16 Flanges	4" ANSI150 flanges
<b>Pump heating</b>	None	Heating Jacket
<b>Dimensions mm (in.) (with ISO PN16 flanges)</b>	<b>A</b>	1 194 (47.01)
	<b>B</b>	451 (17.49)
	<b>C</b>	689.5 (27.15)
	<b>D</b>	448 (17.64)
	<b>E</b>	464 (18.27)



### OPERATING LIMITS

Minimum temperature °C (°F)	-15 (5)
Maximum temperature °C (°F)	Process: 100 (212) Washing/Rinsing/Sterilisation:121 (250)
Maximum dynamic in-pump viscosity cP	10 000
Maximum differential pressure bar (psi)	<b>G Flo 65 S</b> : 7 (101) <b>G Flo 65 HP</b> : 10 (145)
Maximum inlet pressure barg (psig)	Process : 2 (29) Washing / Rinsing / Sterilisation : 3 (43.5) Pump stopped : 6 (87)
Maximum speed rpm	350
Maximum solid particle size mm (in)	2 (0.0788)
Maximum soft particle size mm (in)	20 (0.788)

### MATERIALS OF CONSTRUCTION

Part No	PART NAME	STANDARD MATERIALS	AVAILABLE OPTIONS
39100	Inlet Chamber	316L Stainless Steel	
39108	Inlet chamber Bracket	316L Stainless Steel	
39201	Cylinder	316L Stainless Steel	
39301	Disc	CY5SnBiM (anti galling alloy)	
39304	Disc Nut	316L Stainless Steel	
39401	Outlet Cover	316L Stainless Steel	
	<b>Transmission Assembly</b>		
39596	Bearings	Ball / Roller / Needle	
	Triple layers Bellow Assembly	316Ti & 316 L Stainless Fabrication	
	Housing	Ductile iron + e coating	
	Transmission Lubricant	Synthetic oil	
39206	Seal Rings	EPDM (EC 1935/2004 & FDA)	FEP Encapsulated O-rings Fluorocarbon (FKM) O-Rings (EC 1935/2004 & FDA)

