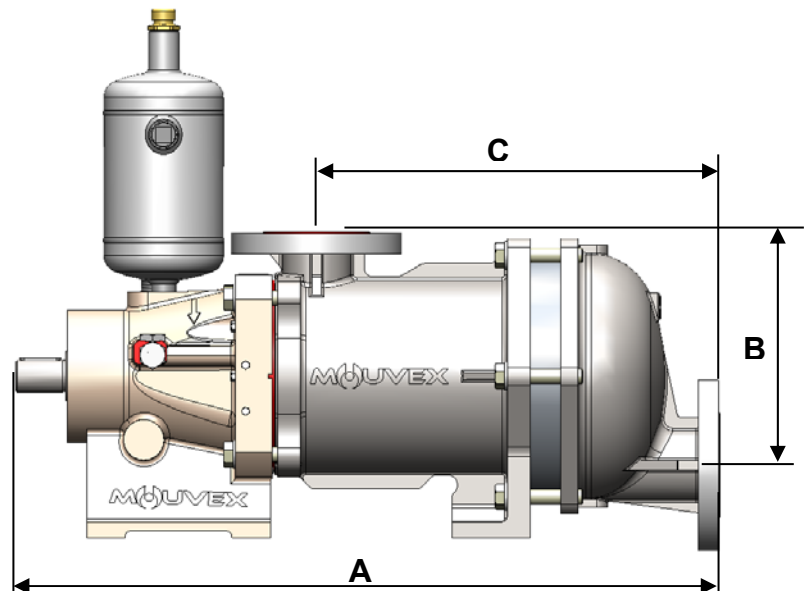
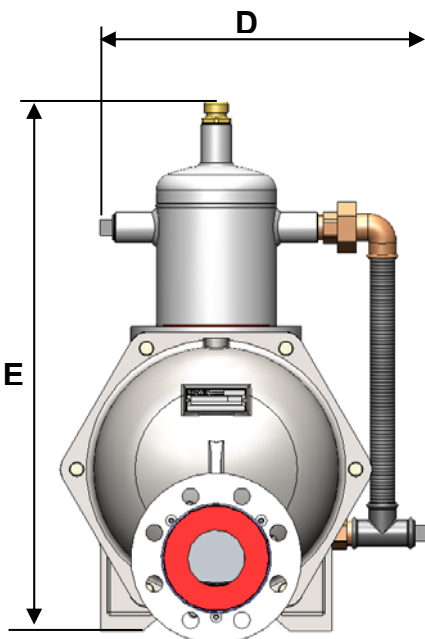


CHARACTERISTICS

		STANDARD	AVAILABLE OPTIONS
Technology		Eccentric Disc Mouvex®	
Maximum Flow rate at 1 cSt m³/h (GPM)		SLC12i HT : 12 (52.83) SLC18i HT : 18 (79.25)	
Displacement per revolution l (gal)		SLC12i HT : 0,411 (0.109) SLC18i HT : 0,617 (0.163)	
Ports		DN 65 ISO PN16 flanges	2 ½" ANSI150 flanges
Pump heating		None	Heating jacket
Dimensions mm (in.) (With ISO PN16 flanges)	A	SLC12i HT : 768 (30.23) SLC18i HT : 788 (31.03)	
	B	253 (9.96)	
	C	SLC12i HT : 438 (17.25) SLC18i HT : 458 (18.03)	
	D	399 (15.71)	
	E	572 (22.52)	
Weight kg (lbs)		SLC12i HT : 119 (263) SLC18i HT : 125 (276)	



OPERATING LIMITS

Minimum temperature °C (°F)	-15 (5)
Maximum temperature °C (°F)	Process / Washing / Rinsing : 160 (320)
Maximum dynamic in-pump viscosity cP	10000
Maximum differential pressure bar (psi)	SLC12i HT : 9 (130) SLC18i HT : 6 (87)
Maximum inlet pressure barg (psig)	Process : 1.5 (21.7) Washing /Rinsing : 3 (43.5) Pump stopped : 6 (87)
Maximum speed rpm	530
Maximum solid particle size (mm/in)	2 (0.079)
Maximum soft particle size (mm/in)	10 (0.394)

MATERIALS OF CONSTRUCTION

Part No	PART NAME	STANDARD MATERIALS	AVAILABLE OPTIONS
101	Inlet Tube	316L Stainless Steel (low carbon)	
201	Cylinder	316L Stainless Steel (low carbon)	
301	Disc	CY5SnBiM (anti galling alloy)	
304	Disc Nut	316Ti Stainless Steel (Titanium Alloy)	
405A	Outlet Cover	316L Stainless Steel (low carbon)	
	Bolts	630 Stainless Steel	
596	Transmission Assembly		
	Bearings	Ball / Roller / Needle	
	Double Bellows Assembly	316Ti & 316 L Stainless Fabrication	
	Housing	Nickel plated ductile iron	
	Screws	Steel	
	Transmission Lubricant	Synthetic oil	
	Seal Rings	Fluorocarbon (FKM) O-Rings	L - FKM gaskets PTFE Encapsulated O-rings

