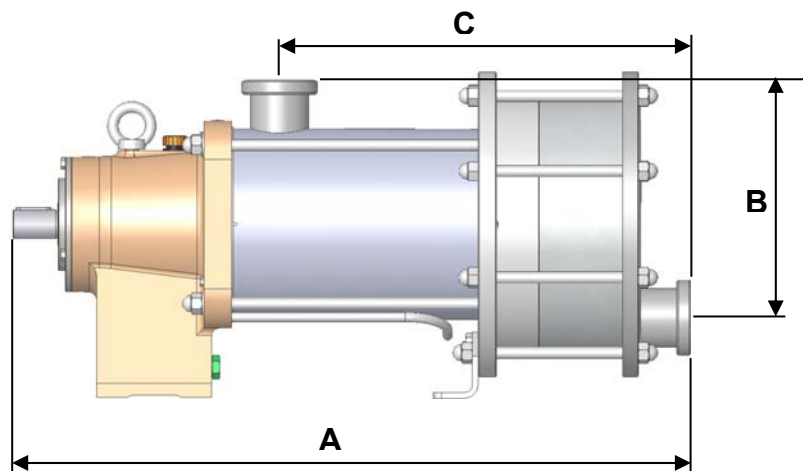
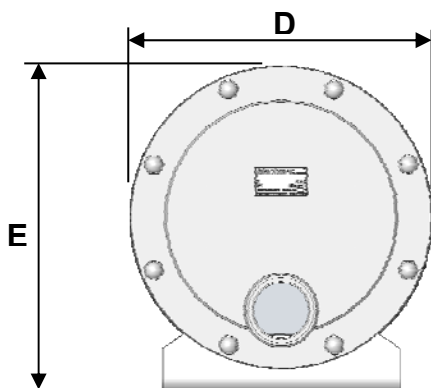


CHARACTERISTICS

	STANDARD	AVAILABLE OPTIONS
Technology	Eccentric Disc Mouvex®	
Maximum Flow rate at 1 cSt m³/h (GPM)	SLS24i : 24 (105.66) SLS36i : 36 (158.5)	
Displacement per revolution l (gal)	SLS24i : 0.946 (0.25) SLS36i : 1.42 (0.375)	
Inlet chamber volume L (gal)	11 (2.91)	
Outlet chamber volume L (gal)	7 (1.85)	
Ports	DN80 SMS 1145	DN80 DIN11851 DN80 DIN11864 BF-A Aseptik fl. 3" CLAMP ASME BPE-2009 DN80 CLAMP (ISO 2858)
Pump heating	None	Heating jacket
Dimensions mm (in.) (With SMS connections)	A	SLS24i : 879 (34.6) SLS36i : 905.5 (35.65)
	B	308 (12.13)
	C	SLS24i : 533.5 (21) SLS36i : 560 (22.05)
	D	395 (15.55)
	E	421.5 (16.6)
Weight kg (lbs)	SLS24i : 185 (408) SLS36i : 200 (441)	



OPERATING LIMITS

Minimum temperature °C (°F)	-15 (5)
Maximum temperature °C (°F)	Process: 100 (212) Washing/Rinsing/Sterilisation :121 (250)
Maximum dynamic in-pump viscosity cP	10000
Maximum differential pressure bar (psi)	SLS24i : 9 (130) SLS36i : 6 (87)
Maximum inlet pressure barg (psig)	Process : 2 (29) Washing / Rinsing / Sterilisation : 3 (43.5) Pump stopped : 6 (87)
Maximum speed rpm	460
Maximum solid particle size mm (in)	2 (0.079)
Maximum soft particle size mm (in)	14 (0.551)

MATERIALS OF CONSTRUCTION

Part No	PART NAME	STANDARD MATERIALS	AVAILABLE OPTIONS
101	Inlet Tube	316L Stainless Steel (low carbon)	
104	Inlet tube Bracket	316L Stainless Steel (low carbon)	
201	Cylinder	316L Stainless Steel (low carbon)	
301	Disc	CY5SnBiM (anti galling alloy)	
304	Disc Nut	316Ti Stainless Steel (Titanium Alloy)	
401	Outlet Cover	316L Stainless Steel (low carbon)	
402	Spacer tube	316L Stainless Steel (low carbon)	
	Bolts	316L Stainless Steel (low carbon)	
596	Transmission Assembly		
	Bearings	Ball / Roller / Needle	
	Double Bellows Assembly	316Ti & 316 L Stainless Fabrication	Bellows monitoring system
	Housing	Nickel plated ductile iron	
	Screws	Steel	
	Transmission Lubricant	Synthetic oil	
	Seal Rings	Fluorocarbon (FKM) O-Rings	L - FKM gaskets (FDA) PTFE Encapsulated O-rings

