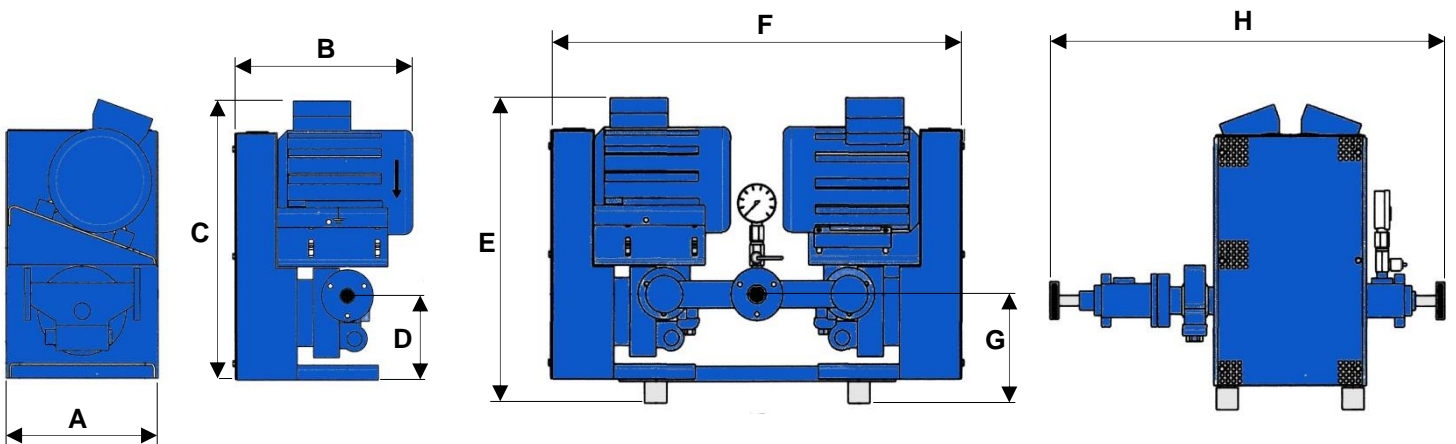


**CHARACTERISTICS**

		STANDARD	AVAILABLE OPTIONS
<b>Technology</b>		Eccentric Disc Mouvex®	
<b>Flow rate at 1 cSt m<sup>3</sup>/h (GPM)</b>		1.67 (7.35)	
<b>Displacement l (gal)</b>		0.066 (0.0174)	
<b>Internal relief valve</b>		Yes	
<b>Pump per unit</b>		1	2 with by-passing valves
<b>Ports</b>		Flanges	
<b>Heating</b>		No	
<b>Dimensions mm (in.)</b>	<b>A</b>	246 (9.685)	
	<b>B</b>	320 (12.600)	
	<b>C</b>	470 (18.504)	
	<b>D</b>	137 (5.394)	
	<b>E</b>	540 (21.260)	
	<b>F</b>	712 (28.031)	
	<b>G</b>	200 (7.874)	
	<b>H</b>	763 (30.039)	
<b>Weight kg (lbs)</b>		27 (59.53)	With 2 pumps 72 (158.73)



**OPERATING LIMITS**

	STANDARD MATERIALS
Minimum temperature °C (°F)	-10 (14)
Maximum temperature °C (°F)	80 (176)
Maximum viscosity cSt (SSU)	1000 (4637)
Maximum differential pressure bar (psi)	5 (72)
Maximum speed (rpm)	700

**MATERIALS OF CONSTRUCTION**

PART NAME	STANDARD MATERIALS	AVAILABLE OPTIONS
Casing	Cast Iron	
Cylinder	Cast Iron	
Disc	Cast Iron	
Front cover	Cast Iron	
Shaft	Carbon steel	
Bushings	Hardened iron	
Static O-rings	FKM	
Mechanical seal	Bronze / Stainless FKM O-rings	